

(19)



Europäisches Patentamt

European Patent Office

Office européen des brevets



(11)

EP 0 372 384 B1

(12)

EUROPEAN PATENT SPECIFICATION

(45) Date of publication and mention
of the grant of the patent:
07.05.1997 Bulletin 1997/19

(51) Int Cl.⁶: **H04N 7/087**

(21) Application number: **89122066.7**

(22) Date of filing: **29.11.1989**

(54) **Videotext receiver**

Videotextempfänger

Récepteur de vidéotexte

(84) Designated Contracting States:
DE FR GB

(30) Priority: **02.12.1988 JP 306466/88**

(43) Date of publication of application:
13.06.1990 Bulletin 1990/24

(73) Proprietor: **MATSUSHITAELECTRIC INDUSTRIAL
CO., LTD.**
Kadoma-shi, Osaka-fu, 571 (JP)

(72) Inventors:
• **Morii, Takashi**
Ibaraki-shi Osaka-fu (JP)
• **Ishibashi, Youichi**
Ibaraki-shi Osaka-fu (JP)

(74) Representative: **Eisenführ, Speiser & Partner**
Martinistrasse 24
28195 Bremen (DE)

(56) References cited:
EP-A- 0 330 275 **US-A- 4 701 794**

- **PATENT ABSTRACTS OF JAPAN vol. 5, no. 125 (E-069)12 August 1981**
- **PATENT ABSTRACTS OF JAPAN vol. 7, no. 52 (E-162)(1197) 2 March 1983**
- **ELEKTRONIK vol. 34, no. 12, 14 June 1985, MUNCHEN DE pages 163 - 168 U. WILDHAGEN "Teletext-Multi-Page-System mit TPU 2700"**
- **PATENT ABSTRACTS OF JAPAN vol. 8, no. 59 (E-232)(1496) 17 March 1984**
- **PATENT ABSTRACTS OF JAPAN vol. 7, no. 288 (E-218)(1433) 22 December 1983**

EP 0 372 384 B1

Note: Within nine months from the publication of the mention of the grant of the European patent, any person may give notice to the European Patent Office of opposition to the European patent granted. Notice of opposition shall be filed in a written reasoned statement. It shall not be deemed to have been filed until the opposition fee has been paid. (Art. 99(1) European Patent Convention).

Description

The present invention relates to a video text receiver which receives and decodes the textual and graphic data multiplexed for transmission with a normal television broadcast for display on a CRT or other display device.

From JP-A-57201391 it is known a video text receiver for receiving text and graphic data including control data, header data and main text data, comprising multipage memory for storing the textual and graphic included in a received broadcast signal, a processing circuit having a header select means for selecting the header data in the textual and graphic data and a page header memory for storing a plurality of the selector header data. Regardless on what program being stored in the multipage memory the header memory sequentially stores all the headers of the received data.

JP-A-56-062491 describes a television receiver for character multiplex broadcasting for quickly receiving the program, by performing easy and accurate selection of a desired program, through a listing display of an index part of each still picture display program on one screen of a CRT.

JP-A-58-209277 discloses a character broadcast receiver for reducing the production costs and to improve operability, by selecting a program number and a page number in a program index displayed on a display by moving a cursor.

In Elektronik, vol. 34, no. 12, 14 June 1995, Munich, pages 163 to 168, U. Wildhagen: "Teletext-Multi-Page-System mit TPU 2700", it is described a further conventional video text receiver.

BACKGROUND OF THE INVENTION

Various multiplex television broadcasting formats have been considered in recent years to more efficiently utilize existing broadcasting bands. One of these is videotext, already a commercialized broadcasting service whereby news and weather reports, stock market information, and other information comprised of text and/or graphics can be received and displayed on a home television receiver.

A further typical videotext broadcast receiver currently used in the above system to receive the textual and graphic data multiplexed with the television broadcast signal and to display this information on a home television receiver is described below with reference to Fig. 5.

Fig. 5 shows the construction of a conventional videotext receiver wherein reference number 1 is the text and graphic data decoder 1 which restores the text and graphic data to a text and graphic image; 2 is the microprocessor controlling the text and graphic data decoder 1; 3 is the receiver circuit extracting the text and graphic data from the video signal as digital data; 4 is the RAM that stores the received text and graphic data and is

used as the operating area of the microprocessor 2; 5 is the ROM in which is written the program controlling the operation of the microprocessor 2; 7 is the video display memory in which is stored the text and graphic image decoded by the microprocessor 2; 6 is the display processor that synthesizes the text and graphic image stored in the video display memory 7 into an RGB signal; 9 is the character generator used when the text and graphic data is decoded into a text and graphic image; 8 is the added sound decoder used to process the additional sound data included in the text and graphic data; and 10 is the keypad used to select the desired text and graphic data for display.

Reference number 20 is the television signal receiver, which is comprised of an antenna 21, the television signal receiver circuit 22, an audio demodulation amplifier 23, a brightness amplifier and color demodulator circuit 24, a video/voice selector 25 which selects or mixes the video sound signal or the RGB signal and added sound signal output from the text and graphic data decoder 1, an audio amplifier output circuit 26, a video amplifier output circuit 27, a speaker 28, and a display 29 for displaying the video image.

The operation of a conventional videotext receiver constructed as described above is described below.

The television signal input from the antenna 21 is demodulated by the television signal receiver circuit 22 in the television signal receiver 20, and video and audio signals are thereby extracted. The video signal is input to the receiver circuit 3 of the text and graphic data decoder 1, and the text and graphic data is extracted from the video signal. When the user operates the keypad 10 to select the desired text and graphic data program from the many text and graphic data programs received, a request is sent from the keypad 10 to the microprocessor 2. The microprocessor 2 accordingly selects the requested text and graphic data program, and converts the text and graphic data to a text and graphic image according to the program written in the ROM 5 and using the character generator 9 as may be required. The resulting text and graphic image is then stored in the video display memory 7. The text and graphic image in the video display memory 7 is synthesized as an RGB signal by the display processor 6, and any additional sound data contained in the text and graphic data is converted to the added sound signal by the added sound decoder 8.

At the same time, the audio and video signals demodulated by the television signal receiver circuit 22 are respectively input to the audio demodulation amplifier 23 and the brightness amplifier and color demodulator circuit 24 where they are processed and then output to the video/voice selector 25. The video/voice selector 25 switches and selects the video signal (RGB signal) and audio signal (the added sound signal) output from the text and graphic data decoder 1 when the user selects a videotext program, or selects the television video and audio signals when the user selects a regular television

broadcast, and outputs the selected signals to the speaker 28 and display 29 via the audio amplifier output circuit 26 and video amplifier output circuit 27, respectively. The user is thus able to view the selected television program or videotext program on the display 29.

During videotext program reception, there is a delay from the time the user selects the desired program to the time that program is received and displayed on the screen. To eliminate this delay, conventional videotext receivers store the videotext program in memory.

In the videotext receiver shown in Fig. 5, the program number of the text and graphic data to be stored in the RAM 4 and the channel number of the television broadcast are selected by the user by operating the keypad 10. The microprocessor 2 then stores the selected videotext program in the RAM 4.

At this time the user may also use the keypad 10 to enter a memo so that the contents of the selected program can be easily identified later.

The microprocessor 2 stores the selected program number of the text and graphic data, channel number, and memos in the RAM 4. As controlled by the user with the keypad 10, the microprocessor 2 may also display on the screen a list of the text and graphic data program numbers, channel numbers, and memos stored in the RAM 4.

The user is then able to refer to this list of program numbers, channel numbers, and memos to quickly view any selected program with no delay in the display time.

However, in a videotext receiver of this type, the user must first work the keypad 10 to enter the program numbers, channel numbers, and memos for all desired programs in order to display on screen a list of the videotext program numbers, channel numbers, and memos stored in memory, and this data entry operation is both complicated and inconvenient.

SUMMARY OF THE INVENTION

The present invention has been developed with a view to substantially solving the above described disadvantage and has for its essential object to provide an improved videotext receiver which can automatically compile a list of videotext programs stored in memory without requiring any complicated operation on the part of the user.

In order to achieve the aforementioned object, according to the present invention, there is provided a video text receiver for receiving text and graphic data including control data, header data and main text data, comprising: a first memory means for storing the textual and graphic data included in a received broadcast signal, a control means comprising a header select means for selecting a plurality of header data corresponding to a plurality of pages of the textual and graphic data stored in said first memory means, and a second memory means for storing a plurality of the selected header data, characterized by a display processor for forming an im-

age data of the header data stored in said second memory means, and means for displaying said image data of the header data, and further characterized in that said control means further comprises a program number select means for obtaining a program number from said control data included in the text and graphic data, when the text and graphic data contains no header data, and for converting the program number to said image data.

Further advantageous embodiments are defined in the subclaims.

In the case where the text and graphic data containing no header data is stored in the first memory means, the program number select means obtains the program number from the control data included in the text and graphic data, converts this program number to the image data required for the header data table, and stores this data in the video display memory. The header data table stored in the video display memory is then displayed on the display. Thus, it is possible to show all the program list in the table even when the video text broadcast does not carry any header data.

BRIEF DESCRIPTION OF THE DRAWINGS

These and other objects and features of the present invention will become apparent from the following description taken in conjunction with preferred embodiments thereof with reference to the accompanying drawings, throughout which like parts are designated by like reference numerals, and in which:

Fig. 1 is a block diagram of the videotext receiver according to a preferred embodiment of the present invention;

Fig. 2 is a plan view of the television screen showing the display areas of text and graphic data in a videotext broadcast;

Fig. 3 is a diagrammatic view of the data composition used with text and graphic data in a videotext broadcast;

Fig. 4 is a plan view of the television screen showing an example of the header data table display; and

Fig. 5 is a block diagram of a conventional videotext receiver.

DETAILED DESCRIPTION OF THE PREFERRED EMBODIMENTS

Referring to Fig. 1, a videotext receiver according to a preferred embodiment of the present invention is shown. As shown in Fig. 1, the videotext receiver is comprised of a text and graphic data decoder 1 and a television signal receiver 20.

The text and graphic data decoder 1 includes receiver circuit 3, RAM 4, ROM 5, display processor 6, video display memory 7, added sound decoder 8 and keypad 10.

The television signal receiver 20 includes antenna

21, television signal receiver circuit 22, audio demodulation amplifier 23, brightness amplifier and color demodulator circuit 24, video/voice selector 25, audio amplifier output circuit 26, video amplifier output circuit 27, speaker 28, and display 29.

Each of the above described components is the same as that of the corresponding number in Fig. 5 described above. According to the present invention, a microprocessor 2 provided in the text and graphic data decoder 1 comprises a header select means 11 which selects and compiles a table of only the header data contained in the text and graphic data stored in the RAM 4.

The videotext receiver according to the preferred embodiment of the present invention operates the same as the conventional videotext receiver shown in Fig. 5 for the parts with the same reference numbers. As instructed by the operator using the keypad 10, the header select means 11 in the microprocessor 2 extracts only the header data from the text and graphic data stored in the RAM 4, converts this header data to a graphic data of the compiled table, and stores this graphic data in the video display memory 7. The image of the header data table stored in the video display memory 7 is synthesized into an RGB signal by the display processor 6, and input to the display 29 by the video/voice selector 25 and video amplifier output circuit 27. The header data table compiled from the text and graphic data stored in RAM 4 is thus displayed on the display 29.

Referring to Fig. 2, a television screen is shown for indicating the display area of the text and graphic data in a videotext broadcast. In Fig. 2, Sa represents the total display area of the display 29, Sb is the header data display area, and Sc is the main text display area. The broadcasting station name, program number, and type of information are displayed in the header data display area Sb, and the main text and graphics in the selected program are displayed in the main text display area Sc.

Referring to Fig. 3, the data structure of the text and graphic data in a videotext broadcast is shown. In Fig. 3, Da is the control data, Db is the header data, and Dc is the main text data. The control data Da contains data relating to the program number and is not displayed. The header data Db is displayed in the header data display area Sb in Fig. 2, and the main text data Dc is displayed in the main text display area Sc in Fig. 2.

Referring to Fig. 4, an example of the header data table compiled by the present invention is shown. In Fig. 4, Ha, Hb and Hc are specific header data lines.

According to the preferred embodiment as described above, by providing a RAM 4 which stores the text and graphic data in the received videotext program and a microprocessor 2 comprising a header select means 11 which extracts and compiles a table of the header data contained in the text and graphic data stored in the RAM 4, a table of the videotext programs stored in RAM 4 can be compiled without requiring the operator to execute a complicated operation.

It is to be noted that specifically desired text and

graphic data can be stored in the RAM 4 not only with a keypad operation as was possible with a conventional videotext receiver, but also with "one-touch reservations". This "one-touch reservation" function enables the operator to press a specific reservation key on the keypad 10 to store the currently displayed text and graphic image in the RAM 4. When this key is pressed, the microprocessor 2 identifies the current signal and stores the data for the displayed text and graphic image in the RAM 4.

Because a code identifying the type of data installed in each of sections Da, Db and Dc is inserted at very beginning of each section, the header data Db can be extracted by the header select means 11 by simply finding the code identifying the header data Db. The header data alone can thus be read and displayed on the display 29 through the video display memory 7 and display processor 6. This operation is executed for every videotext program stored in the RAM 4, and the extracted header data is accordingly displayed as a table on the display 29.

The microprocessor 2 comprises not only a header select means 11, but also a program number select means 12. Whereas the header select means 11 selects and compiles a table of only the header data Db in the text and graphic data stored in the RAM 4, the program number select means 12 extracts the program number from the control data Da contained in the text and graphic data and displays this program number in place of the header data when there is no header data contained in the text and graphic data.

In some videotext broadcasts, there are programs in which the text and graphic data does not contain header data. Such programs may be the programs with superimpositions and single line horizontally scrolling text. Therefore, when text and graphic data containing no header data is stored in the RAM 4, the program number select means 12 obtains the program number from the control data Da included in the text and graphic data, converts this program number to the image data required for the header data table, and stores this data in the video display memory 7. The header data table stored in the video display memory 7 is then displayed on the display 29 as described in the preferred embodiment.

As thus described, according to the preferred embodiment, RAM 4 which stores the text and graphic data of the received videotext program, and microprocessor 2 including header select means 11 for extracting the header data Da contained in the text and graphic data stored in the RAM 4 and program number select means 12 for obtaining the program number from the control data included in the text and graphic data when the text and graphic data contains no header data, are provided. Thus, a table of videotext programs stored in the RAM 4 can still be compiled without requiring complex user operation even for videotext broadcasts carrying no header data.

Furthermore, in the preferred embodiments of the present invention, if the header select means 11 is a type which displays the header data according to a specified character, color, or display position contained in the header data, the character display position and/or color can be changed for a unified header data table display which is easier for the user to read and view.

In addition, if the header select means 11 is a type which selects and displays only part of the header data in the text and graphic data stored in the RAM 4, when multiple text and graphic data with the same program number but different page numbers is stored in the memory, the header display can display data representative of the header for one page instead of displaying all header data.

As described above, by providing a videotext receiver with a memory device storing the text and graphic data of the received videotext program, and a micro-processor comprised of a header select means which selects and displays only the header data contained in the text and graphic data stored in the memory, a table listing the videotext programs stored in the memory can be compiled and displayed without requiring the user to execute a complicated procedure.

Claims

1. A video text receiver for receiving text and graphic data including control data (Da), header data (Db) and main text data (Dc), comprising:

a first memory means (4) for storing the textual and graphic data included in a received broadcast signal;
 a control means (2) comprising a header select means (11) for selecting a plurality of header data (Db) corresponding to a plurality of pages of the textual and graphic data stored in said first memory means (4), and
 a second memory means (7) for storing a plurality of the selected header data (Db),

characterized by

a display processor (6) for forming an image data of the header data (Db) stored in said second memory means (7); and
 means (29) for displaying said image data of the header data (Db); and
 further characterized in that said control means (2) further comprises a program number select means (12) for obtaining a program number from said control data (Da) included in the text and graphic data, when the text and graphic data contains no header data (Db), and for converting the program number to said image data (Db).

2. A videotext receiver as described in claim 1, wherein said header select means (11) selects the header data in accordance with a part of the text, color, and display data specifications.

3. A videotext receiver as described in claim 1, wherein said header select means (11) selects within the header data (Db) only a part of the header data.

Patentansprüche

1. Videotextempfänger zum Empfangen von Text- und Graphikdaten einschließlich Steuerungsdaten (Da), Kopfdaten (Db) und Haupttextdaten (Dc), mit:

einer ersten Speichereinrichtung (4) zum Speichern der Text- und Graphik-Daten, die in einem empfangenen Rundfunksignal enthalten sind;
 einer Steuerungseinrichtung (2) mit einer Kopfselektionseinrichtung (11) zum Selektieren mehrerer der Kopfdaten (Db) entsprechend mehreren Seiten der Text- und Graphik-Daten, die in der ersten Speichereinrichtung (4) gespeichert sind, und einer zweiten Speichereinrichtung (7) zum Speichern mehrerer der selektierten Kopfdaten (Db),

gekennzeichnet durch

einen Anzeigeprozessor (6) zum Bilden von Bilddaten der Kopfdaten (Db), die in der zweiten Speichereinrichtung (7) gespeichert sind; und
 einer Einrichtung (29) zum Anzeigen der Bilddaten der Kopfdaten (Db); und
 weiterhin dadurch gekennzeichnet ist, daß die Steuerungseinrichtung (2) weiterhin eine Programmnummern-Selektionseinrichtung (12) umfaßt, zum Erhalten einer Programmnummer aus den Steuerungsdaten (Da), die in den Text- und Graphik-Daten enthalten sind, wenn die Text- und Graphik-Daten keine Kopfdaten (Db) enthalten, und zum Umwandeln der Programmnummer in die Bilddaten (Db).

2. Videotextempfänger nach Anspruch 1, bei welchem die Kopfselektionseinrichtung (11) die Kopfdaten entsprechend einem Teil der Text-, Farb- und Anzeige-Daten-Spezifikationen selektiert.

3. Videotextempfänger nach Anspruch 1, bei welchem die Kopfselektionseinrichtung (11) innerhalb der Kopfdaten (Db) nur einen Teil der Kopfdaten selektiert.

Revendications

1. Un récepteur de vidéotexte pour la réception de données de texte et de données graphiques, comprenant des données de commande (Da), des données d'en-tête (Db) et des données principales de texte (Dc), comportant :

un premier moyen de mémoire (4) pour le stockage des données de texte et des données graphiques d'un signal de radiodiffusion reçu ;
 un moyen de commande (2) comportant un moyen de sélection d'en-tête (11) pour la sélection d'une pluralité de données d'en-tête (Db) correspondant à une pluralité de pages des données de texte et des données graphiques stockées dans ledit premier moyen de mémoire (4), et
 un second moyen de mémoire (7) pour le stockage d'une pluralité des données d'en-tête sélectionnées (Db), caractérisé par
 un processeur d'affichage (6) pour la formation d'une donnée d'image des données d'en-tête (Db) stockées dans ledit second moyen de mémoire (7) ; et un moyen (29) pour l'affichage de ladite donnée d'image des données d'en-tête (Db) ; et

caractérisé en outre en ce que ledit moyen de commande (2) comporte en plus un moyen de sélection d'un numéro de programme (12) pour obtenir un numéro de programme à partir des données de commande (Da) comprises dans les données de texte et les données graphiques, lorsque les données de texte et les données graphiques ne contiennent pas de données d'en-tête (Db), et pour convertir le numéro de programme en dite donnée d'image (Db).

2. Un récepteur de vidéotexte selon la revendication 1,
 dans lequel ledit moyen de sélection d'en-tête (11) sélectionne les données d'en-tête conformément à une partie des caractéristiques des données de texte, de couleur, et d'affichage.
3. Un récepteur de vidéotexte selon la revendication 1,
 dans lequel ledit moyen de sélection d'en-tête (11) sélectionne parmi les données d'en-tête (Db) seulement une partie des données d'en-tête.

55

Fig. 1

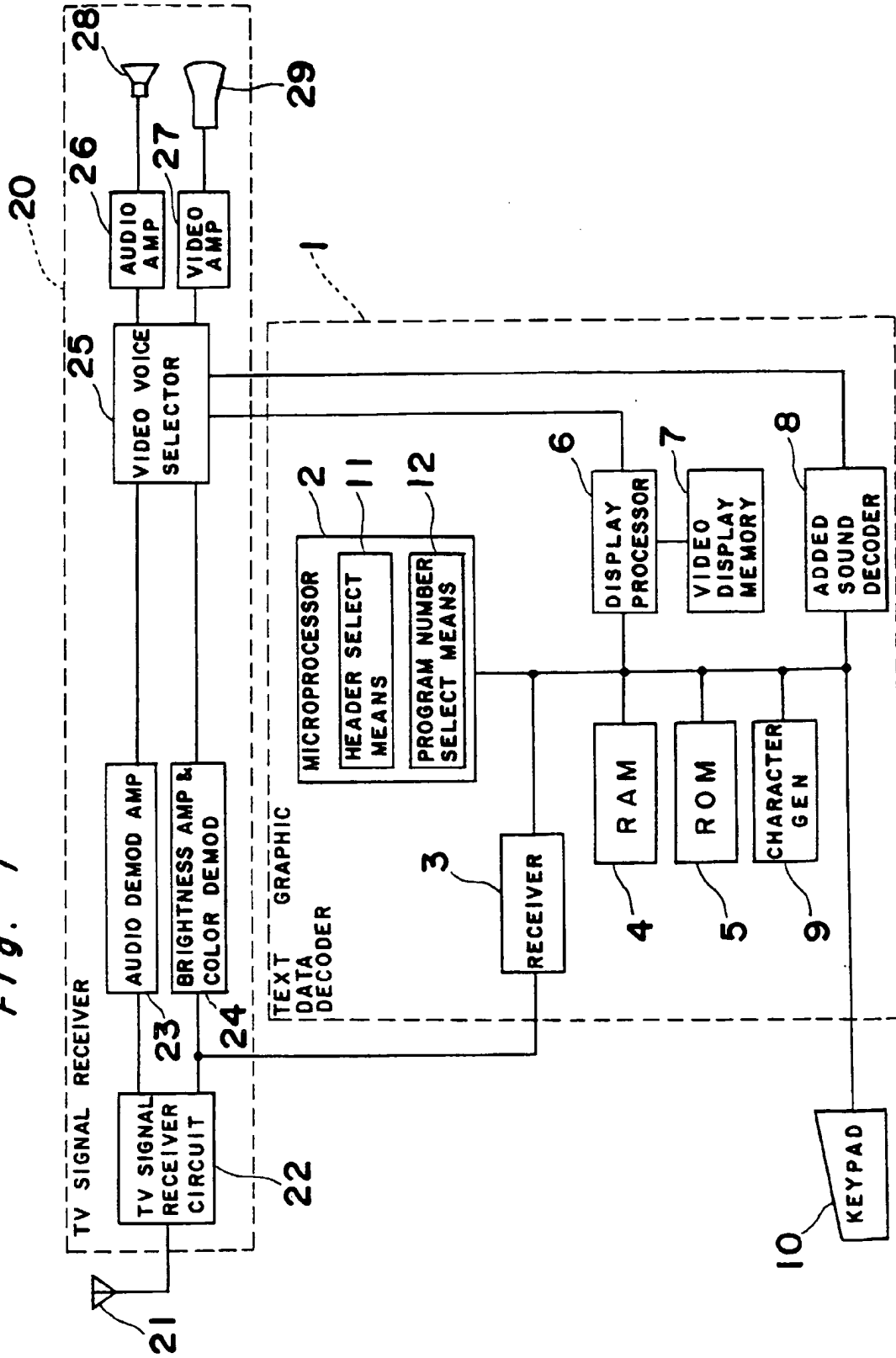


Fig. 2

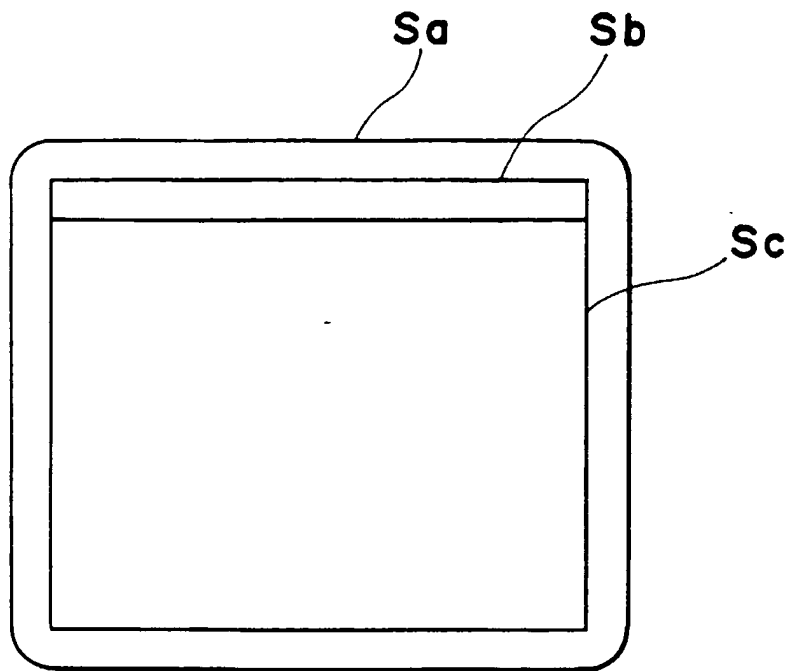


Fig. 3

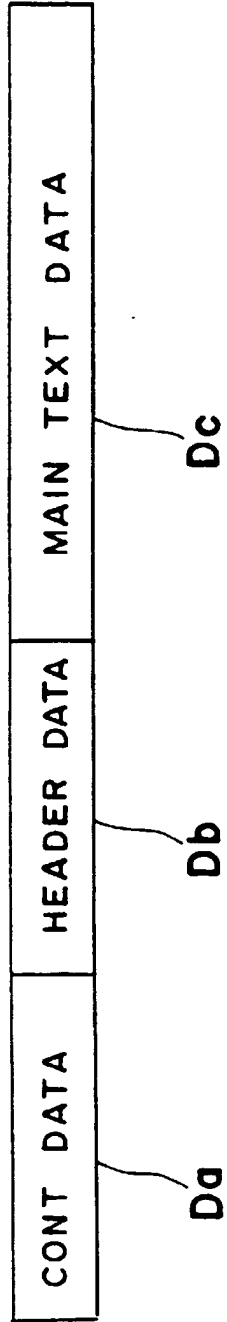


Fig. 4

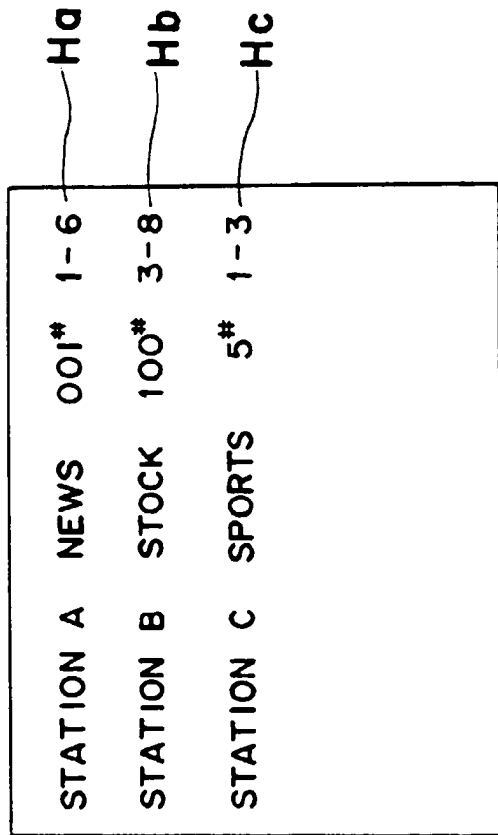


Fig. 5 PRIOR ART

